

Product Data Sheet & Installation Guide

FibroTech Premium Acoustic Panels

22mm Acoustic Wall & Ceiling Panel

Range Available: Black Oak, Grey Oak, Light Oak, Oiled Oak

Suitable For: Commercial & Residential Applications



FibroTech Premium Acoustic Panels

Product Description

Transform your walls or ceilings with FibroTech Premium Acoustic Panels. Featuring a backing of 9mm thick sound absorbing polyester made from plastic, these premium panels have a wood finish that is available in 4 different colours.

Product Dimensions	m ² /panel
22 x 605 x 2440mm	1.48
22 x 605 x 3000mm	1.82
22 x 520 x 520mm (Square Panel) comes in packs of 2	0.27
Colours available	Black Oak, Grey Oak, Light Oak, Oiled Oak
Weight Per m ²	6.73kg/m ²

FibroTech Premium Acoustic Edge Panel

The FibroTech Premium Acoustic Edge Panel can be installed to the wall or ceiling to cap off the ends of the FibroTech Premium Acoustic Panels and enhance the final appearance.

Product Dimensions	m ² /panel	kg/panel
22 x 25 x 3000mm (Edge Panel) comes in packs of 2	0.08	2.2
Colours available	Black Oak, Grey Oak, Light Oak, Oiled Oak	

FibroTech Panel Screws

Product	Colour	Dimensions
FibroTech Panel Screws TX20 for use in timber and up to 0.6mm steel	Black	4.2 x 30mm

Note: The FibroTech Panel Screws are star screws so an appropriate star drill bit or screwdriver will be required and is not included in the pack.

Scope of Use

FibroTech Premium Acoustic Panel is a decorative interior wall and ceiling panel suitable for the following, where up to a Group-2 fire performance rating is required for building lining material:

- Residential buildings including free standing houses
- Commercial applications

General

- Ideal for feature wall design in new builds and refurbishment.
- Can reduce the reverberation time in a room by absorbing sound.
- The wood material in the panels originates from sustainably managed forests, visit fibrotech.nz for certificate details.
- The FibroTech Premium Acoustic Panels can be cleaned as required, use the brush nozzle of the vacuum cleaner or a soft brush/broom.
- Slight colour and product size variations may occur.
- FibroTech Premium Acoustic Panels are not subject to a warning or ban under section 26 of the Building Act 2004, when used as per the product scope.
- Can be used with FibroTech Accessories.

Limitations:

- FibroTech Premium Acoustic Panel is NOT a fire stop/protection material.
- Separation or protection must be provided to FibroTech Acoustic Panels from heat sources such as fireplaces, flues and chimneys.
- NOT suitable for outdoor use.
- NOT to be used in any wet rooms or other areas in contact with water.
- NOT a structural component.

Compliance and Durability:

FibroTech Premium Acoustic Panels meet the performance requirements of NZBC Clause B2 Durability (B2.3.1(c) 5 years), Clause F2 Hazardous Building Materials (F2.3.1), providing:

- It is not damaged, dented or fractured.
- It is installed in accordance with installation instructions.

Product Testing

Characteristic	Construction	Standard	Result
Sound Absorption	FibroTech Premium Acoustic Panels– mounted directly	EN ISO 354:2003	NRC= 0.55

NRC: Noise reduction coefficient

Fire Testing

Characteristic	Standard	Result
Fire Classification of construction products and building elements - Part 1: Classification using data from reaction to fire test.	EN 13501-1:2018	C-s2,d0

*As per <https://www.building.govt.nz/building-code-compliance/c-protection-from-fire/c-clauses-c1-c6/surface-finishes> Class C is equivalent to Group Number 2 as per ISO 9705:1993. The FibroTech Premium Acoustic Panels were mechanically fixed for this fire test (15 screws per panel) and no FibroTech Accessories were included in this testing. The product is tested to EN13501-1:2018, which simulates a wall application and as per the link above, this is equivalent to a Group 2 surface lining for wall and ceiling applications.

FibroTech Premium Acoustic Panels

Installation Instructions

For the installation of the panels, you will generally need the following tools:

- Saw (fine tooth circular saw)
- Screwdriver
- Drill
- FibroTech screws
- Measuring tape
- Pencil
- Construction adhesive
- Spirit level

It is recommended to wear appropriate personal protective equipment during installation, such as cotton gloves and safety glasses. Please note that due to the amount of wood in the acoustic panels, they may have a slight "wood" smell. We recommend acclimatising the panels before installation by storing them for 48 hours in a garage, carport, or under another shelter.

1. Start by measuring the area the panels are to be installed.
2. Check the surface where the panels will be mounted; it is important that it is dry, clean, even, and stable.
3. Decide which direction the panels are to be mounted: vertically or horizontally.
4. Use a level and plumb line to ensure panels are installed straight. Always inspect the quality of the panels before installation.
5. All panels can be adjusted/cut in height by sawing from the backside with a fine-toothed blade. Lightly sand wooden edges with sandpaper after cutting to smooth rough edges.
6. To adjust the width, use a utility knife to cut through the polyester backing.
7. When mounting on walls or ceiling, use screws, screwed in from the front between the lamellas and through the polyester backing material. 15 screws to be used per 2440mm panel or 18 screws to be used per 3000mm panel.
 - a. Use 30mm length black FibroTech Panel Screws or similar. FibroTech Panel Screws TX20 can be used for timber and up to 0.6mm steel.
 - b. Screws to be evenly spaced throughout the panel. Note: screws could be installed into areas with and without studs.
 - c. Screws around the edge of the panels should be at minimum 30mm from the edge of the panels.
8. Install screws into areas where there are no studs first. Hold panel in mounting position and screw the screws through the polyester backing material just enough to create a indent on the wall (do not fully screw through). This now marks the location for fixing an appropriate wall plug/anchor.
9. Once the wall plugs/anchors are in place, the screws can be fixed into the wall plugs/anchors to hold the panel in place. Fix these screws first before fixing any screws over studs. A similar method can be used for a brick or masonry wall. Note: Wall plugs/anchors are not supplied with the panels.
10. In areas where there are wall or ceiling studs - panels should be attached onto wall and ceiling studs.

11. Where there is a butt joint between two panels, then a compatible construction adhesive is recommended to be used, as well as the screws. This ensures a flat and even appearance is achieved. Make sure you test the compatibility of the adhesive with both the backing of the panel and the surface that the panels are being mounted onto. Also refer to the instructions provided by the construction adhesive manufacturer.
12. Panels are designed with left and right sides (wooden lamella edge and polyester edge) so they can be mounted next to each other without visible seams. Join the panels by placing the wooden lamella edge against the polyester edge until there is equal spacing between the wooden lamellas.
13. Vacuum panels to remove any dust from cutting.

Penetrations

1. It is best to install the penetration panel first to enable the best layout of the wall.
2. Measure the penetration area on the FibroTech Acoustic panel.
3. Try to centre the penetration between two timber strips. It is best not to create very thin strips of timber as they may split.
4. Mask the edges of the timber veneer.
5. Cut out the penetration area with a fine tooth jigsaw.
6. Lightly sand to remove any rough edges.
7. Install the panel over the penetration.

Product Size	Lamella width	Lamella Distance	No. Screws to be used
22 x 605 x 2440mm	25mm	15mm	15
22 x 605 x 3000mm	25mm	15mm	18

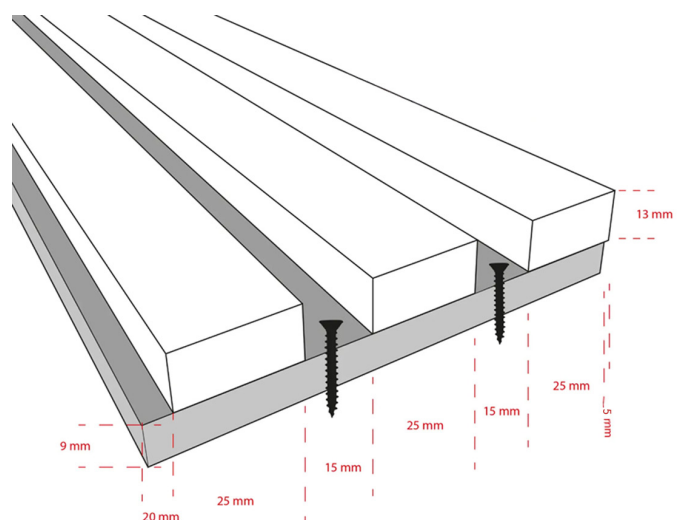


Figure 1.

Note: Diagram is not to scale and does not represent the full-sized panel

FibroTech Premium Acoustic Panels

Installation Instructions

Handling and Storage

Store the panels indoors and well away from direct moisture, rainfall or sunlight. The panels should be handled with care to prevent damage. We recommend acclimatising the panels before installation by storing them for 48 hours in a garage, carport, or under another shelter.



Product Warranty

A 1-year product warranty applies for FibroTech Premium Acoustic Panels, provided the product is used within the scope of use and it is installed according to the installation instruction provided by Kingspan Insulation NZ Ltd. For further details visit [kingspaninsulation.co.nz](https://www.kingspaninsulation.co.nz) or call 0800 806 595. FibroTech Premium Acoustic Panels are designed in Denmark and manufactured in China.

For Technical Support

For technical queries contact:
technical@kingspaninsulation.co.nz or 0800 806 595.

Kingspan Insulation NZ Limited (NZBN 9429045930393), reserves the right to amend product specifications without prior notice. The information contained in Kingspan's literature is given in good faith and based on good building practice but are not an exhaustive statement of all relevant information and are subject to any conditions contained in the Warranty. Recommendations for use should be verified as to the suitability and compliance with actual requirements, specifications and any applicable laws and regulations. All product dimensions and performance claims are subject to any variation caused by normal manufacturing process and tolerances.

Furthermore, as the successful performance of the relevant system depends on numerous factors outside the control of Kingspan (for example quality of workmanship and design), Kingspan shall not be liable for the recommendations in that literature and the performance of the Product. For other applications or conditions of use, Kingspan Insulation offers a Technical Advisory Service, the advice of which should be sought for uses of Kingspan Insulation products that are not specifically described herein. Please check that your copy of the literature is current by contacting us or visiting www.kingspaninsulation.co.nz E&OE

