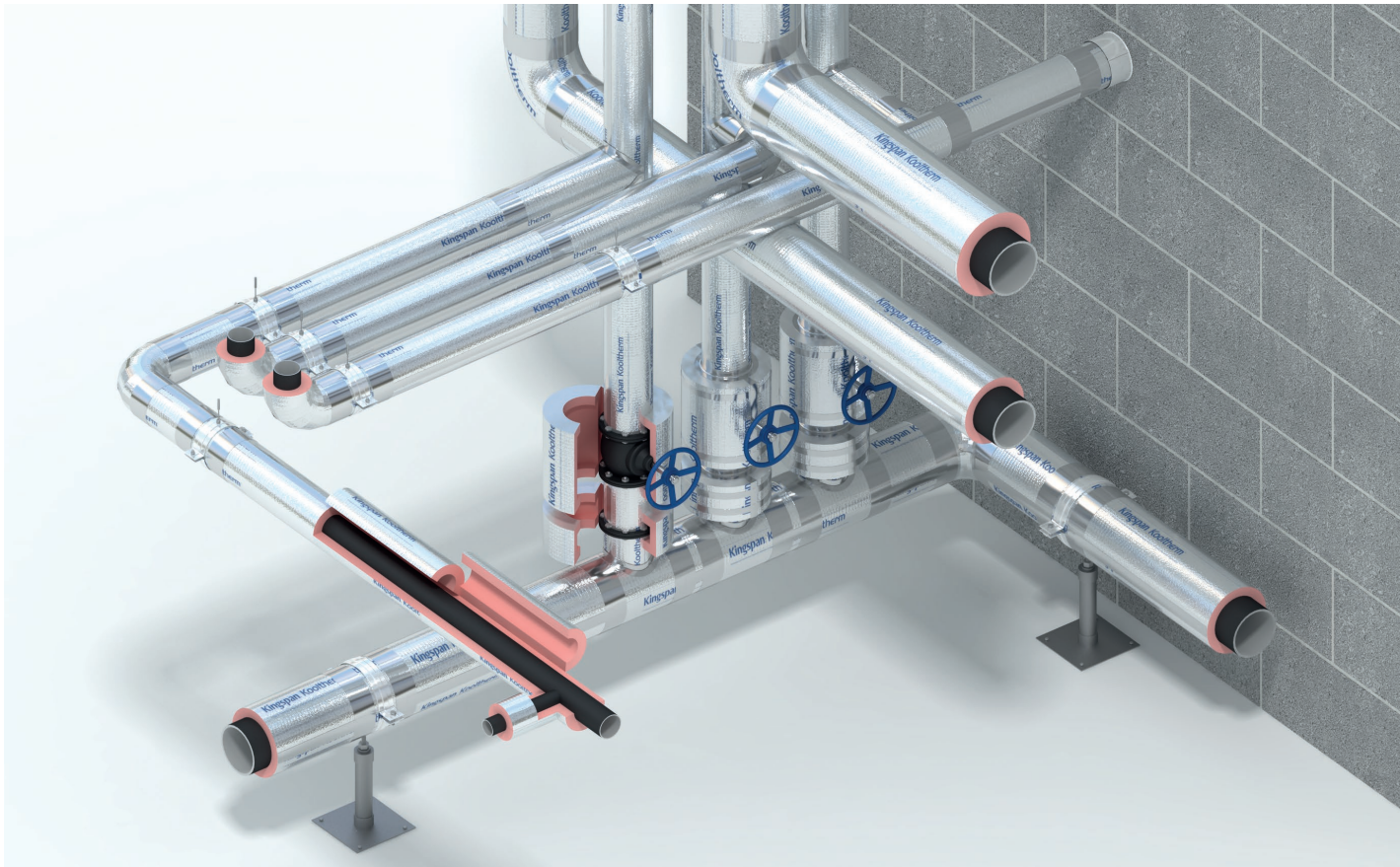


Technical Insulation

Great Britain & Ireland

# Kooltherm<sup>®</sup> Pipe Insulation

Technical Data Sheet



# Kooltherm<sup>®</sup> Pipe Insulation

## General Physical Properties (Kooltherm<sup>®</sup> Pipe Insulation)

Property	Test Method	Unit	Typical Value
Nominal Density		kg / m <sup>3</sup>	37 and 60
Thermal Conductivity at +10°C. Please refer to DoP for full values.	(BS EN 12667: 2001) (BS EN ISO 8497: 1996)	W/m.K	As low as 0.025
Colour			Pink / Grey
Closed Cell Content	(BS EN ISO 4590: 2016) Method 1	%	> 90
Operating Temperature: Pipe Section*	Upper Limit Lower Limit	°C °C	+ 110 - 50

\* Factory applied low permeability multiple layer vapour barrier jacket recommended for applications operating below 0 °C.

## Fire Test Classifications (Kooltherm<sup>®</sup> Pipe Insulation)

Property	Test Method	Density (kg/m <sup>3</sup> )	Facing	Result	Diameter (mm)	Thickness (mm)
Reaction to fire	(BS EN 13501-1: 2018)	37	HVAC foil*	B <sub>1</sub> - s1, d0	≤ 300	Any
			Triplex**	F	Any	Any
		60	HVAC foil*	B - s1, d0	> 300	25-80
FM Approval	Class 4924	37	Please contact Kingspan Technical Insulation Technical Services for further information.			

\* Product tested with its factory applied reinforced aluminium foil vapour barrier.

\*\* Product tested with its factory applied triplex low emissivity and zero permeability finish (for below zero applications).

For technical enquiries and / or insulation thickness calculations, please email [techline.hvac@kingspan.com](mailto:techline.hvac@kingspan.com).

### Notes:

BS EN 12667: 2001 (Thermal performance of building materials and products. Determination of thermal resistance by means of guarded hot plate and heat flow meter methods. Products of high and medium thermal resistance).

BS EN ISO 8497: 1996 (Thermal insulation - Determination of steady-state thermal transmission properties of thermal insulation for circular pipes (ISO 8497: 1994)).

BS EN ISO 4590: 2016 (Rigid cellular plastics. Determination of the volume percentage of open cells and of closed cells).

BS EN 13501-1: 2018 (Fire classification of construction products and building elements - Classification using data from reaction to fire tests).

# Kooltherm<sup>®</sup> Insulated Pipe Support Inserts

## General Physical Properties (Kooltherm<sup>®</sup> Insulated Pipe Support Inserts)

Property	Test Method	Unit	Typical Value		
Nominal Density		kg / m <sup>3</sup>	60	80	120
Thermal Conductivity at +10°C. Please refer to DoP for full values.	(BS EN ISO 8497: 1996)	W/m.K	0.035	0.037	0.044
Colour			Pink / Grey	Grey	Grey
Closed Cell Content	(BS EN ISO 4590: 2016) Method 1	%	>90%	>90%	>90%
Operating Temperature: Pipe Supports	Upper Limit	°C	+ 110	+ 110	+ 110
	Lower Limit	°C	-	- 50	- 50

## Fire Test Classifications (Kooltherm<sup>®</sup> Insulated Pipe Support Inserts)

Property	Test Method	Density (kg/m <sup>3</sup> )	Facing	Result	Diameter (mm)	Thickness (mm)
Reaction to fire	(BS EN 13501-1: 2018)	60	HVAC foil	B <sub>L</sub> - s1, d0	≤ 300	Any
		80	HVAC foil*	B <sub>L</sub> - s1, d0	≤ 300	Any
		120	HVAC foil*	B <sub>L</sub> - s1, d0	≤ 300	Any
			HVAC foil*	B - s1, d0	> 300	Any

\* Tested with an integral metal spreader plate, with reinforced aluminium foil vapour barrier

For technical enquiries and / or insulation thickness calculations, please email [techline.hvac@kingspan.com](mailto:techline.hvac@kingspan.com)

### Notes:

BS EN ISO 4590: 2016 (Rigid cellular plastics. Determination of the volume percentage of open cells and of closed cells).

BS EN 13501-1: 2018 (Fire classification of construction products and building elements - Classification using data from reaction to fire tests).

BS EN ISO 8497: 1996 (Thermal insulation - Determination of steady-state thermal transmission properties of thermal insulation for circular pipes (ISO 8497:1994)).

---

# Contact Details

---

## Great Britain

**Kingspan Technical Insulation Ltd**  
Harvey Road | Burnt Mills Industrial Estate  
Basildon | SS13 1QJ

T: +44 (0) 1457 890400  
E: [info.kti@kingspan.com](mailto:info.kti@kingspan.com)  
[www.kingspantechinsulation.co.uk](http://www.kingspantechinsulation.co.uk)

For individual department contact details please visit  
[www.kingspantechinsulation.co.uk/contacts](http://www.kingspantechinsulation.co.uk/contacts)

---

## Ireland

**Kingspan Insulation Ltd**  
Castleblayney | County Monaghan

T: +353 (0) 42 975 4219  
E: [info.kti@kingspan.com](mailto:info.kti@kingspan.com)  
[www.kingspantechinsulation.ie](http://www.kingspantechinsulation.ie)



For the most up-to-date version of this brochure, please scan or click [here](#).

To check that you have the latest version of this brochure please visit [www.kingspantechinsulation.co.uk](http://www.kingspantechinsulation.co.uk) or scan the QR code directly above.

To access pre-existing product information or information relating to previously sold/ discontinued products please email [info.kti@kingspan.com](mailto:info.kti@kingspan.com).

The information contained in this brochure is believed to be correct at the date of publication. Kingspan Technical Insulation Limited ("Kingspan Technical Insulation") reserves the right to alter or amend the product specifications without notice due to continuous improvement commitments. There may also be relevant changes between publications with regard to legislation, or other developments affecting the accuracy of the information contained in this brochure. Product thicknesses shown in this document should not be taken as being available ex-stock and reference should be made to the current Kingspan Technical Insulation price-list or advice sought from Kingspan Technical Insulation's Customer Service Department. The information, technical details and fixing instructions etc. included in this literature are given in good faith and apply to uses described. Kingspan Technical Insulation does not accept responsibility for issues arising from using products in applications different from those described within this brochure or failure to correctly follow the information or instructions as described within this brochure. Recommendations for use should be verified with a suitable expert or professional for suitability and compliance with actual requirements, specifications and any applicable laws and regulations. For other applications or conditions of use, Kingspan Technical Insulation offers a technical advisory service (see above for contact details), the advice of which should be sought for uses of Kingspan Technical Insulation products that are not specifically described herein. Please check that your copy of this literature is current by contacting the Kingspan Technical Insulation Marketing Department © Kingspan, Kooltherm and the Lion Device are Registered Trademarks of the Kingspan Group plc in the UK, Ireland and other countries. All rights reserved.

Registered in England & Wales, No. 05571822. Registered Office: Harvey Road, Burnt Mills Industrial Estate, Basildon, SS13 1QJ, England. VAT GB872003452.

Registered in Ireland, No. 54621. Registered Office: Bree Industrial Estate, Castleblayney, Co. Monaghan, Ireland. VAT IE4575069I.

