

Technical Insulation

Passive Fire Protection
Great Britain & Ireland

K-Stop® Flamestop 60

Technical Data Sheet

Description

Kingspan K-Stop® Flamestop 60 is a lightweight fixed fire barrier which provides up to 60 minutes fire integrity of voids and above fire rated walls where fire integrity only is required. It is available in a standard roll size of 1.55 m x 25 m.

General Properties

Property	Typical Value
Standard Dimensions	1.55 m x 25 m
Fire Resistance	Up to 60 minutes integrity

Fire Performance

K-Stop® Flamestop 60 tested to BS 476-22: 1987 (Fire tests on building materials and structures. Method for determination of the fire resistance of non-loadbearing elements of construction.) Clause 5 in the construction specified in the table below performs an integrity only function of up to 60 minutes.

Construction	Result
K-Stop® Flamestop 60 mechanically fixed at the head with 60 mm x 40 mm angle bracket with 6 mm x 30 mm anchor bolts at 300 mm centres.	Achieved 60 minutes integrity only

Installation of the K-Stop® Flamestop 60 barrier should be completed using Kingspan installation instructions. Please contact the Kingspan Technical Insulation technical services department for further information.



Applications

K-Stop® Flamestop 60 is a lightweight fire barrier designed to provide up to 60 minutes compartmentation of voids and above fire rated walls where integrity only is required.

K-Stop® Flamestop 60

Installation

K-Stop® Flamestop 60 barrier should be mechanically fixed with 60 mm x 40 mm x 1.5 mm thick angles to all sides using 6 mm x 30 mm anchor bolts.

There should be an overlap of minimum 100 mm fabric past the edge of the angle and bolts should be placed at 300 mm centres.

For joining the barrier together vertically:

Step one: its edges are pinched together to ensure a minimum of 50 mm overlap and a staple depth of 50 mm and stapled at 300 mm centres starting from the edge.

Step two: fold the 50 mm overlap in half to overlap at 25 mm and staple at a depth of 25 mm at 150 mm centres from the first layer of staples.

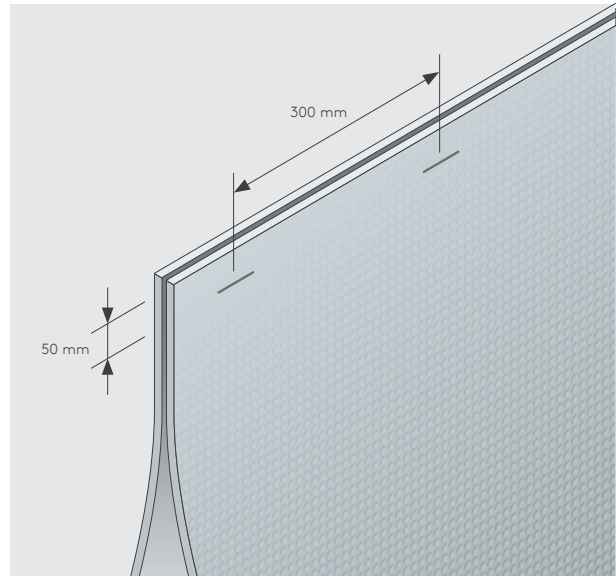


Figure 1. First stage stapling

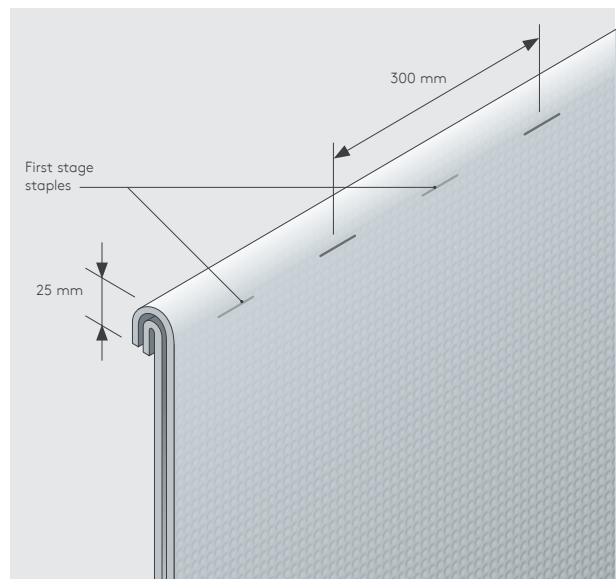


Figure 2. Second stage fold over stapling

Contact Details

Great Britain

Kingspan Technical Insulation Ltd
Harvey Road | Burnt Mills Industrial Estate
Basildon | SS13 1QJ

T: +44 (0) 1524 388 898
E: sales.pfp@kingspan.com
www.kingspanpassivefireprotection.co.uk

For individual department contact details please visit
www.kingspantechinsulation.co.uk/contacts

Ireland

Kingspan Insulation Ltd
Castleblayney | County Monaghan

T: +353 (0) 42 975 4219
E: sales.pfp@kingspan.com
www.kingspantechinsulation.ie



To check that you have the latest version of this brochure please visit
www.kingspanpassivefireprotection.co.uk or scan the QR code directly above.

To access pre-existing product information or information relating to previously sold/
discontinued products please email info.kti@kingspan.com.

The information contained in this brochure is believed to be correct at the date of publication. Kingspan Technical Insulation Limited ("Kingspan Technical Insulation") reserves the right to alter or amend the product specifications without notice due to continuous improvement commitments. There may also be relevant changes between publications with regard to legislation, or other developments affecting the accuracy of the information contained in this brochure. Product thicknesses shown in this document should not be taken as being available ex-stock and reference should be made to the current Kingspan Technical Insulation price-list or advice sought from Kingspan Technical Insulation's Customer Service Department. The information, technical details and fixing instructions etc. included in this literature are given in good faith and apply to uses described. Kingspan Technical Insulation does not accept responsibility for issues arising from using products in applications different from those described within this brochure or failure to correctly follow the information or instructions as described within this brochure. Recommendations for use should be verified with a suitable expert or professional for suitability and compliance with actual requirements, specifications and any applicable laws and regulations. For other applications or conditions of use, Kingspan Technical Insulation offers a technical advisory service (see above for contact details), the advice of which should be sought for uses of Kingspan Technical Insulation products that are not specifically described herein. Please check that your copy of this literature is current by contacting the Kingspan Technical Insulation Marketing Department.

© Kingspan, K-Stop and the Lion Device are Registered Trademarks of the Kingspan Group plc in the UK, Ireland and other countries. All rights reserved.

Registered in England and Wales, No. 05571822. Registered Office: Harvey Road, Burnt Mills Industrial Estate, Basildon, SS13 1QJ, England. VAT GB872003452.

Registered in Ireland, No. 54621. Registered Office: Bree Industrial Estate, Castleblayney, Co. Monaghan, Ireland. VAT IE45750691.

